



**Our Vision is Your Vision**

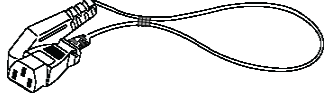
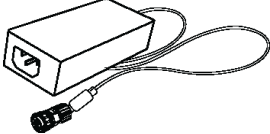
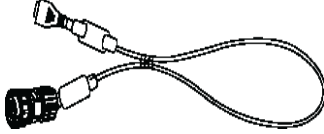
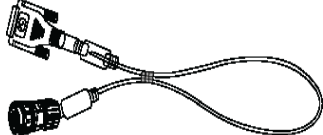
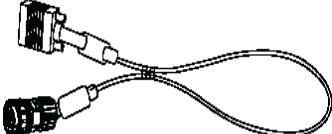
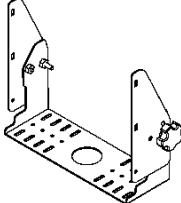
# **User's Manual XT Series**

Proprietary Data Notice:

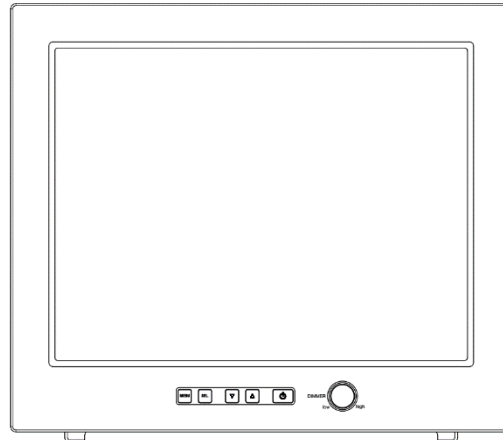
This document as well as all reports, drawings, data, information, or other material, whether accompanying it are the property of Seatronx LLC are disclosed by Seatronx LLC

Information in this document is subject to change without prior notice.

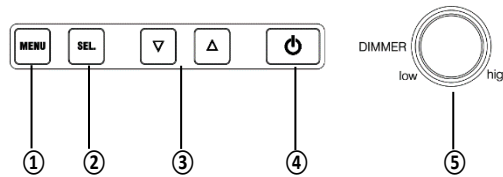
## I. Accessories

Item	Item Name	Remark
	Power Cord 3.2ft	
	Adapter 60W 12V@5A 3.9ft	
	HDMI to Circular(18 pin) 5ft	
	DVI to Circular(18 pin) 5ft	Sold separately
	D-sub(15 pin) to Circular(18 pin) 5ft	
	U-Bracket	Sold separately

# I. Buttons and Connectors



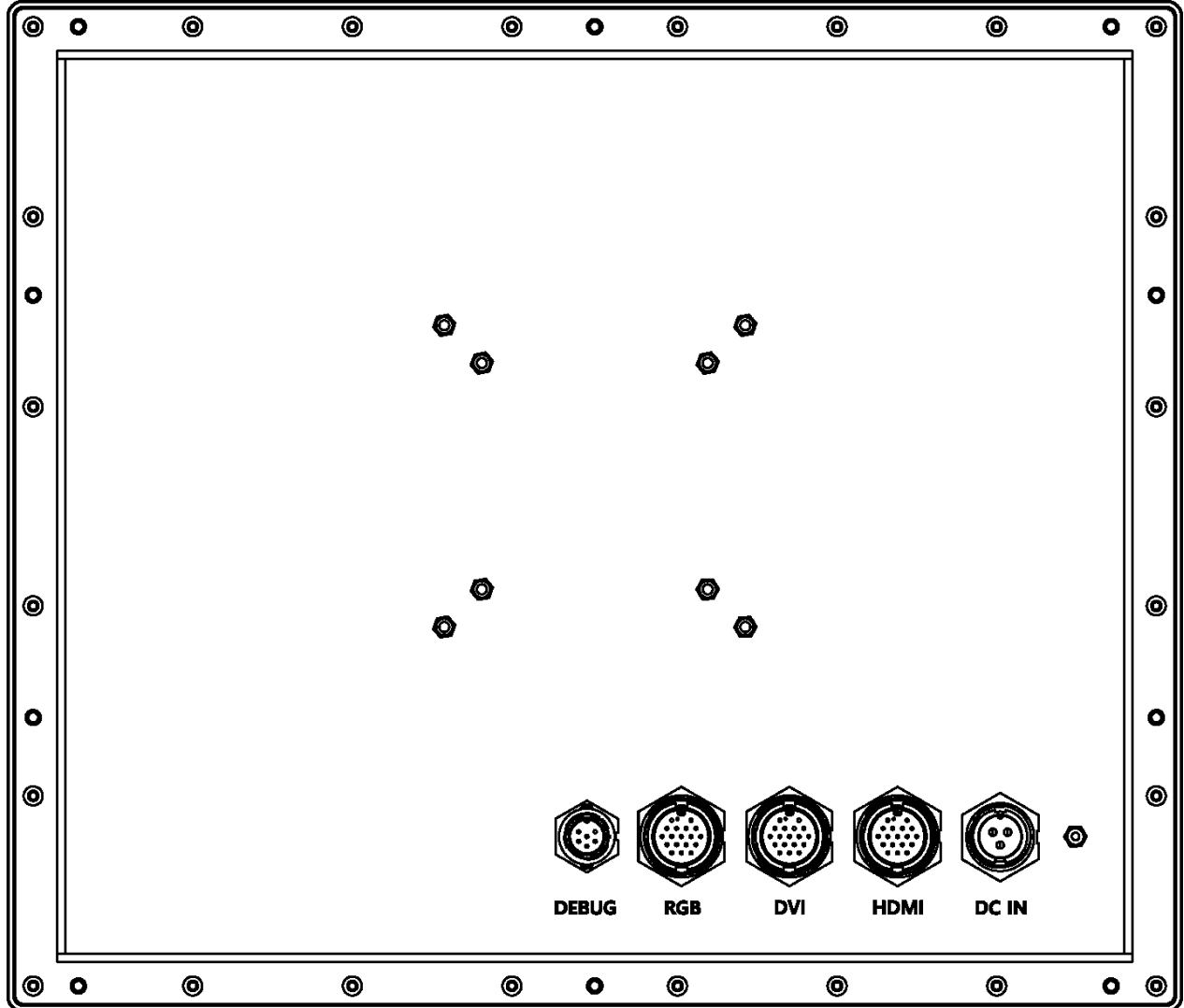
Adjustment menu



## 1. Button Description

Button Name	Description	
① Menu button	OSD Menu / Exit OSD Menu	
② Source button	Select the input source.	
③	-Down	Navigate to next menu on Sub Menu.
	-Up	Navigate to previous menu on Sub Menu.
	-Left (Down)	1. Navigate to previous menu on Top Menu. 2. Decreases Gauge Value of Sub Menu.
	-Right (Up)	1. Navigate to next menu on Top Menu. 2. Increases Gauge Value of Sub Menu. 3. Enter or Select the Item Value to control the Sub Menu item.
④ Power button	Turn Power On & Off (Press 1 second)	
⑤ Dimmer	Adjust the luminance of back light.	

## 1. Power and I/O's



- 1) Connect a power cord to the DC power connector.
- 2) Connect the monitor to an equipment using appropriate cables.
- 3) Turn on the monitor first before turning on the device.

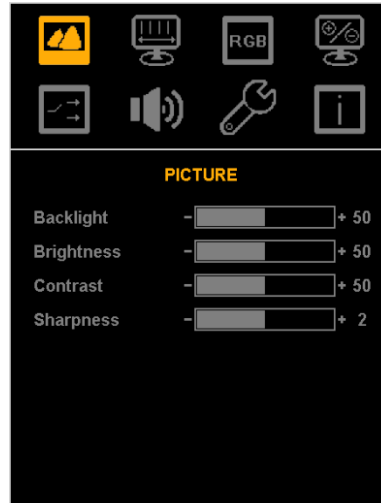
## II. OSD Menu

### I. OSD Menu

You can use the OSD to adjust the picture quality, OSD position and general settings. For advanced settings, please refer to the following page.

#### 1. Key Navigation and Control

##### 1) Entering the OSD menu



##### 2) Making Adjustments and settings

Use the left/right buttons to select the main menu. Press 'Menu' button to move to sub-menu.

##### 3) Exiting the Adjustment menu

To return the main menu, move to the 'Return' item and press then menu button. The following table shows all the adjustment menu's adjustment and setting menus.

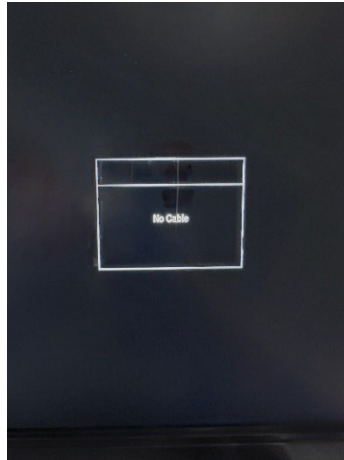
## 2. OSD Menu Description

<p><b>PICTURE</b></p> <p>Backlight - [ ] + 50            Brightness - [ ] + 50            Contrast - [ ] + 50            Sharpness - [ ] + 2</p>	<p><b>DISPLAY</b></p> <p>Auto Adjustment            H Position - [ ] + 50            V Position - [ ] + 50            Pixel Clock - [ ] + 50            Phase - [ ] + 50</p>	<p><b>COLOR</b></p> <p>Auto Color            Gamma [ Off ]            Color Temp [ Standard ]</p>
<p><b>ADVANCE</b></p> <p>Aspect Ratio [ Full ]            Over Scan [ Off ]</p>	<p><b>INPUT</b></p> <p>Auto Select            VGA            DVI            HDMI</p>	<p><b>AUDIO</b></p> <p>Volume - [ ] + 50            Mute Off</p>
<p><b>OTHER</b></p> <p>Reset            Menu Time - [ ] + 10            OSD H Position - [ ] + 50            OSD V Position - [ ] + 50            Transparency - [ ] + 2            Rotate [ Off ]</p>	<p><b>INFORMATION</b></p> <p>DVI            1920x1080 60.0Hz            H: 67.5KHz V: 60.0Hz            PCLK: 148.4MHz            V181024-01</p>	

\* Default and description of the settings.

ITEM	Sub Menu	Description	Default
PICTURE	Backlight	0 ~ 100	100
	Brightness	0 ~ 100	50
	Contrast	0 ~ 100	50
	Sharpness	0 ~ 4	2
DISPLAY	Auto Adjustment		VGA only
	H Position	0 ~ 100	50
	V Position	0 ~ 100	50
	Pixel Clock	0 ~ 100	VGA only
	Phase	0 ~ 100	
COLOR	Auto Color		VGA only
	Gamma	Off, 1.8, 2.0, 2.2, 2.4	Off
	Color Temp	User, Standard, 5800K, 6500K, 7500K, 9300K.	Standard
AUDIO	Volume	0 ~ 100	50, HDMI only
	Mute	On, Off	Off, HDMI only
ADVANCE	Aspect Ratio	Full, Original, 5:4, 4:3, 16:9l	Full
	Overscan	On, Off	Off
INPUT	Input	Auto Select, VGA, DVI, HDMI	Auto
OTHER	Reset	Reset to factory settings	
	Menu Time	5 ~ 60	10
	OSD H Position	0 ~ 100	50
	OSD V Position	0 ~ 100	50
	Transparency	0 ~ 7	2
	Rotate	On, Off	Off

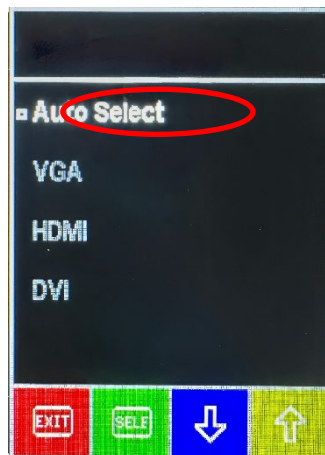
**※ Precautions before connecting the signal cable after power input.**  
If the power input is normal and the screen is not output, please check below.



\* Please check the setting of the signal by pressing the up button.



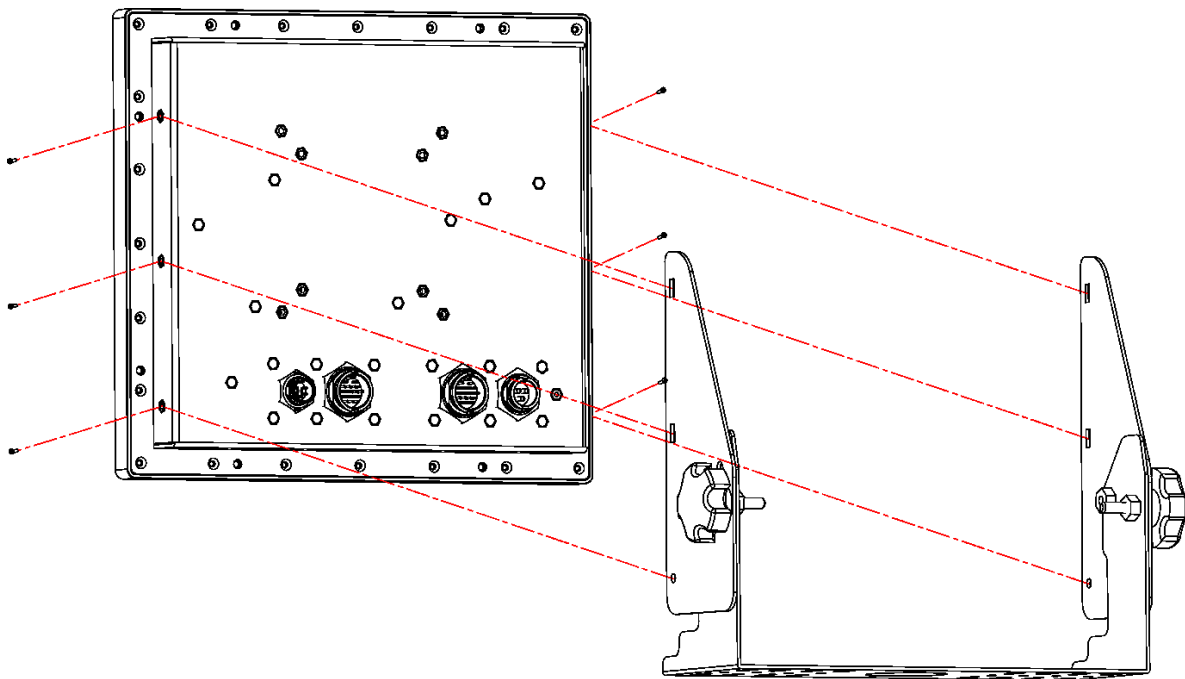
\* If set to auto select, it operates regardless of the signal cable type.



### III. Assemble the Mount

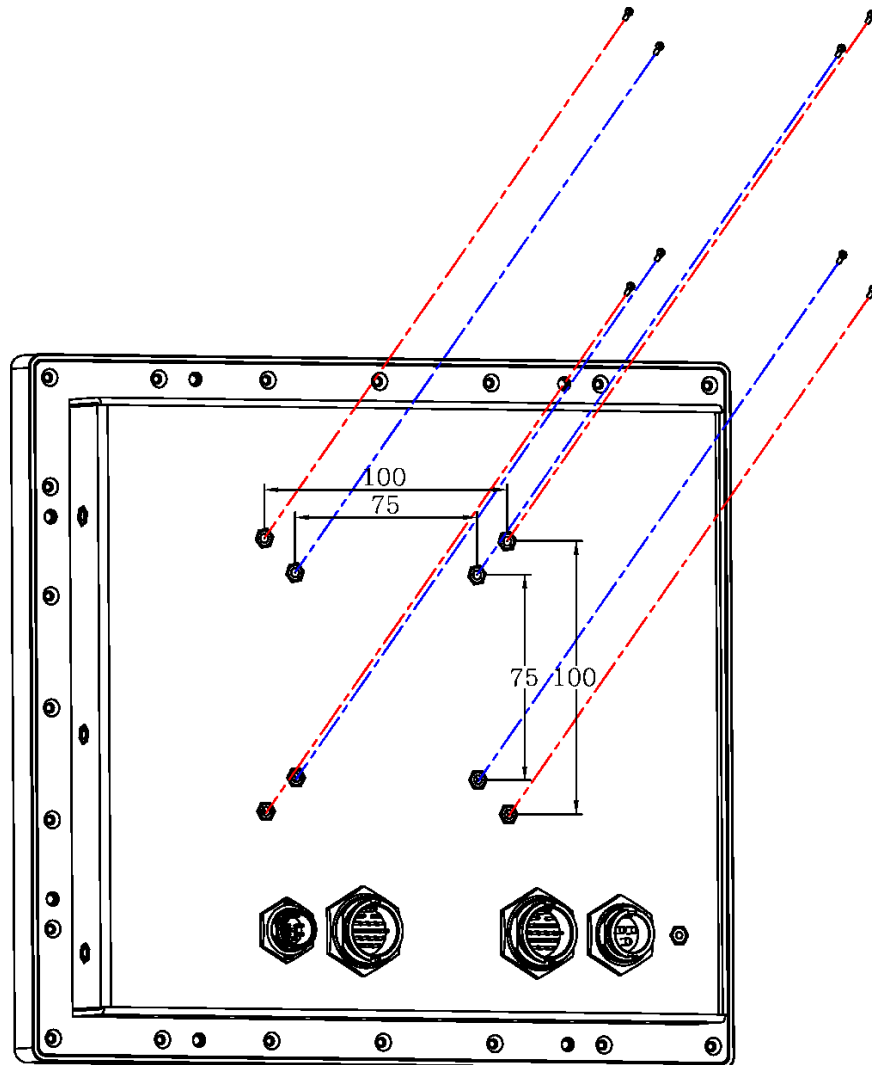
#### 1. U-Bracket Mount

- SCREW: "+" Round Head Screw, M3 \* 8mm, 6 pcs



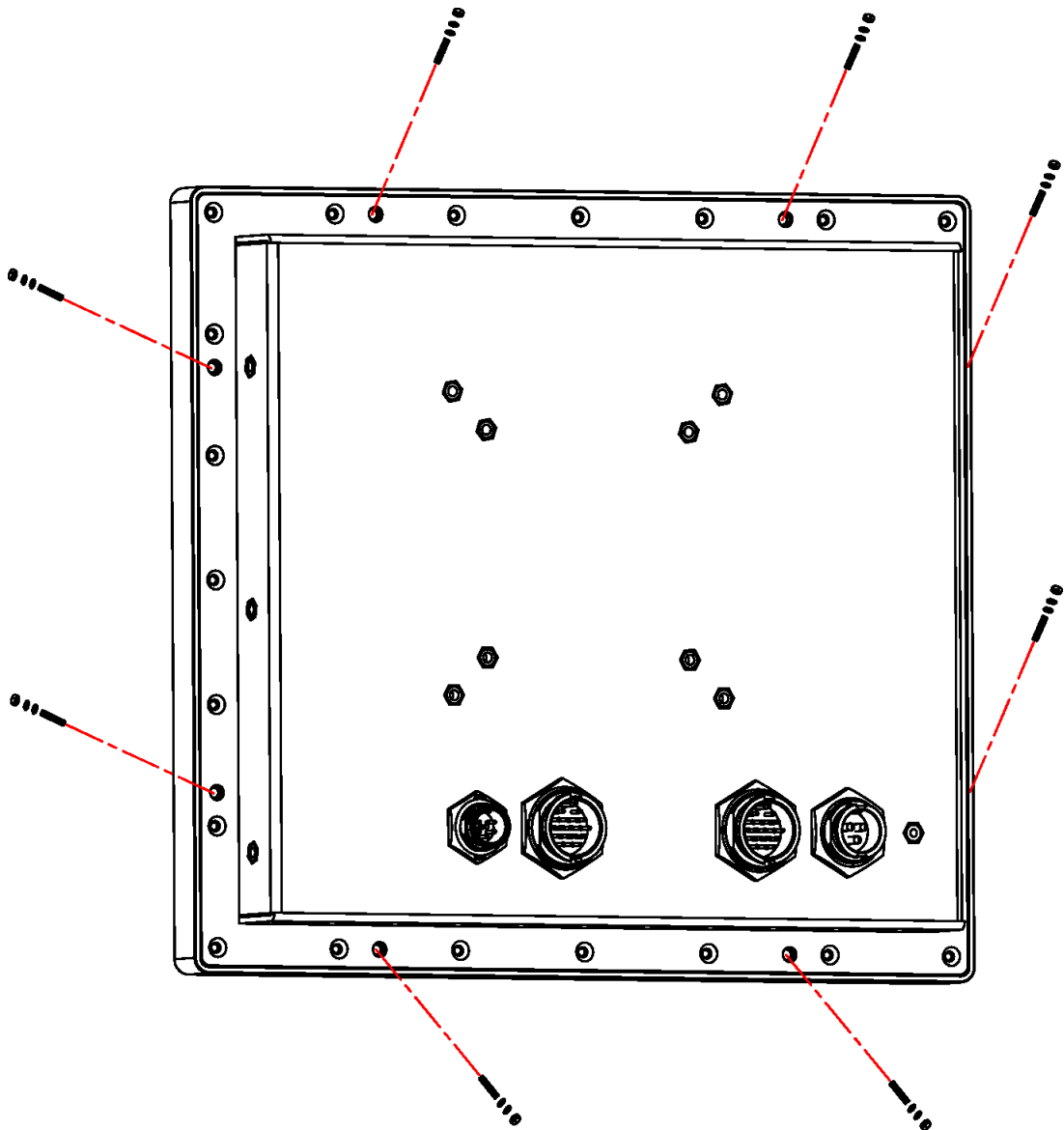
## 2. VESA Mount

- SCREW: "+" Round Head Screw, M3 \* 8mm, 4 pcs
- **BLUE** Line: 75 \* 75 mm VESA
- **RED** Line: 100 \* 100 mm VESA



### 3. Flush Mount

- SCREW: "Hexagon" Socket set Screw, M3 \* 30mm, 8 / 12 pcs
- Hexagon Nut: 8 / 12 pcs
- Plan Washer: 8 / 12 pcs  
Spring Washer: 8/ 12 pcs



## IV. PIN DESCRIPTION

DC-IN				
DC-IN Connector		Circular 3-pin, CC-03PMMP-LC7001		
PIN No.	Description	PIN No.	Description	
1	Ground	3	Ground	
2	DC 9 ~ 38V			

HDMI				
DC-IN Connector		Circular 18-pin, DD-18PMMP-LC7001		
PIN No.	Description	PIN No.	Description	
1	D1-	10	Ground	
2	CK+	11	CE Remote	
3	D1+	12	D2+	
4	D0+	13	Ground	
5	D0-	14	CD Sense	
6	CK-	15	DDC CLK	
7	D2-	16	HPD	
8	Ground	17	+5V	
9	Ground	18	DDC DATA	

RGB				
DC-IN Connector		Circular 18-pin, DD-18PMMP-LC7001		
PIN No.	Description	PIN No.	Description	
1	RED	10	Ground	
2	H-Sync	11	DDCDATA	
3	GREEN	12	BLUE-Ground	
4	REG-Ground	13	Ground	
5	N.C	14	Ground	
6	V-Sync	15	DDC CLK	
7	BLUE	16	Ground	
8	GREEN-Ground	17	Ground	
9	Ground	18	N.C	

### DVI-D Single Link (Option)

DC-IN Connector		Circular 18-pin, DD-18PMMP-LC7001			
PIN No.	Description	PIN No.	Description	Description	
1	D1+	10	Ground	Ground	
2	CK+	11	DDC CLK	DDC CLK	
3	D1-	12	D2-	D2-	
4	D0-	13	Ground	Ground	
5	D0+	14	Ground	Ground	
6	CK-	15	DDC DATA	DDC DATA	
7	D2+	16	Ground	Ground	
8	Ground	17	HPD	HPD	
9	Ground	18	+5V	+5V	

### CVBS (Option)

DC-IN Connector		Circular 6-pin, BD-06PMMP-LC7001			
PIN No.	Description	PIN No.	Description	Description	
1	N.C	4	Ground	Ground	
2	N.C	5	CVBS	CVBS	
3	N.C	6	Ground	Ground	

## V. SPECIFICATIONS

	MODEL	XT-8
<b>Panel</b>	Size (Diagonal)	8.4 inch
	Backlight	LED
	Resolution	1024 x 768
	Number of Pixels	1024 x R.G.B x 768
	Support Color	16.2 Million
	Brightness (Typ.)	1,200 cd/m <sup>2</sup> 1500 cd/m <sup>2</sup> (Option)
	Viewing Angle (H/V)	170° / 170°
	Response Time(T <sub>R</sub> /T <sub>F</sub> )	14 / 11 ms (Gray to Gray)
	Contrast Ratio (Typ.)	1000:1
	Panel Surface	Anti-Reflective Coating
<b>Input Video</b>	RGB	Input (Circular 18-pin)
	HDMI	Input (Circular 18-pin)
	DVI-D (Single Link)	Input (Circular 18-pin), Option
	Composite Video	Input (Circular 6-pin), Option
<b>Power</b>	Power Supply	Internal brick power supply (Circular 3-pin)
	Input Voltage	DC 9-38V
	Power Consumption	Max. 24W
<b>Misc.</b>	Operating Temperature	0°C~50°C
	Operating Humidity	10%~90%
<b>Design</b>	Dimensions (W) x (H) x (D) mm	251mm/9.88" x 231mm/9.09" x 80mm/3.15"
	IP Rating	Front Side: IP67 Rear Side : IP67
	User Controls	OSD Control by control buttons

<b>MODEL</b>		<b>XT-10</b>
<b>Panel</b>	Size (Diagonal)	10.4 inch
	Backlight	LED
	Resolution	1024 x 768
	Number of Pixels	1024 x R.G.B x 768
	Support Color	16.2 Million
	Brightness (Typ.)	1,200 cd/m <sup>2</sup> 1500 cd/m <sup>2</sup> (Option)
	Viewing Angle (H/V)	170° / 170°
	Response Time(T <sub>R</sub> /T <sub>F</sub> )	14 / 11 ms (Gray to Gray)
	Contrast Ratio (Typ.)	1000:1
	Panel Surface	Anti-Reflective Coating
<b>Input Video</b>	RGB	Input (Circular 18-pin)
	HDMI	Input (Circular 18-pin)
	DVI-D (Single Link)	Input (Circular 18-pin), Option
	Composite Video	Input (Circular 6-pin), Option
<b>Power</b>	Power Supply	Internal brick power supply (Circular 3-pin)
	Input Voltage	DC 9-38V
	Power Consumption	Max. 26W
<b>Misc.</b>	Operating Temperature	0°C~50°C
	Operating Humidity	10%~90%
<b>Design</b>	Dimensions (W) x (H) x (D) mm	307mm/12.1" x 260mm/10.24" x 60mm/2.36"
	IP Rating	Front Side: IP67 Rear Side : IP67
	User Controls	OSD Control by control buttons

<b>MODEL</b>		<b>XT-12</b>
<b>Panel</b>	Size (Diagonal)	12.1 inch
	Backlight	LED
	Resolution	1024 x 768
	Number of Pixels	1024 x R.G.B x 768
	Support Color	16.2 Million
	Brightness (Typ.)	1,200 cd/m <sup>2</sup> 1,500 cd/m <sup>2</sup> (Option)
	Viewing Angle (H/V)	160° / 160°
	Response Time(T <sub>R</sub> /T <sub>F</sub> )	25 / 10 ms (Gray to Gray)
	Contrast Ratio (Typ.)	800:1
	Panel Surface	Anti-Reflective Coating
<b>Input Video</b>	RGB	Input (Circular 18-pin)
	HDMI	Input (Circular 18-pin)
	DVI-D (Single Link)	Input (Circular 18-pin), Option
	Composite Video	Input (Circular 6-pin), Option
<b>Power</b>	Power Supply	Internal brick power supply (Circular 3-pin)
	Input Voltage	DC 9-38V
	Power Consumption	Max. 28W
<b>Misc.</b>	Operating Temperature	0°C~50°C
	Operating Humidity	10%~90%
<b>Design</b>	Dimensions (W) x (H) x (D) mm	309mm/12.2" x 282mm/11.1" x 60mm/2.36"
	IP Rating	Front Side: IP67 Rear Side : IP67
	User Controls	OSD Control by control buttons

	<b>MODEL</b>	<b>XT-15</b>
<b>Panel</b>	Size (Diagonal)	15.0 inch
	Backlight	LED
	Resolution	1024 x 768
	Number of Pixels	1024 x R.G.B x 768
	Support Color	16.7 Million
	Brightness (Typ.)	1,000 cd/m <sup>2</sup> 1,500 cd/m <sup>2</sup> (Option)
	Viewing Angle (H/V)	160° / 150°
	Response Time(T <sub>R</sub> /T <sub>F</sub> )	5 / 11 ms (Gray to Gray)
	Contrast Ratio (Typ.)	1000:1
	Panel Surface	Anti-Reflective Coating
<b>Input Video</b>	RGB	Input (Circular 18-pin)
	HDMI	Input (Circular 18-pin)
	DVI-D (Single Link)	Input (Circular 18-pin), Option
	Composite Video	Input (Circular 6-pin), Option
<b>Power</b>	Power Supply	Internal brick power supply (Circular 3-pin)
	Input Voltage	DC 9-38V
	Power Consumption	Max. 34W
<b>Misc.</b>	Operating Temperature	0°C~50°C
	Operating Humidity	10%~90%
<b>Design</b>	Dimensions (W) x (H) x (D) mm	360mm/14.2" x 323mm/12.7" x 60mm/2.36"
	IP Rating	Front Side: IP67 Rear Side : IP67
	User Controls	OSD Control by control buttons

<b>MODEL</b>		<b>XT-17</b>
<b>Panel</b>	Size (Diagonal)	17.0 inch
	Backlight	LED
	Resolution	1280 x 1024
	Number of Pixels	1280 x R.G.B x 1024
	Support Color	16.7 Million
	Brightness (Typ.)	1,000 cd/m <sup>2</sup> 1,500 cd/m <sup>2</sup> (Option)
	Viewing Angle (H/V)	160° / 140°
	Response Time (Tr/Tf)	20 / 10 ms (Gray to Gray)
	Contrast Ratio (Typ.)	1000:1
	Panel Surface	Anti-Reflective Coating
<b>Input Video</b>	RGB	Input (Circular 18-pin)
	HDMI	Input (Circular 18-pin)
	DVI-D (Single Link)	Input (Circular 18-pin), Option
	Composite Video	Input (Circular 6-pin), Option
<b>Power</b>	Power Supply	Internal brick power supply (Circular 3-pin)
	Input Voltage	DC 9-38V
	Power Consumption	Max. 38W
<b>Misc.</b>	Operating Temperature	0°C~50°C
	Operating Humidity	10%~90%
<b>Design</b>	Dimensions (W) x (H) x (D) mm	420mm/16.5" x 372mm/14.6" x 60mm/2.36"
	IP Rating	Front Side: IP67 Rear Side : IP67
	User Controls	OSD Control by control buttons

<b>MODEL</b>		<b>XT-19</b>
<b>Panel</b>	Size (Diagonal)	19.0 inch
	Backlight	LED
	Resolution	1280 x 1024
	Number of Pixels	1280 x R.G.B x 1024
	Support Color	16.7 Million
	Brightness (Typ.)	1,000 cd/m <sup>2</sup> 1,500 cd/m <sup>2</sup> (Option)
	Viewing Angle (H/V)	170° / 160°
	Response Time (Tr/Tf)	1.3 / 3.7 ms (Gray to Gray)
	Contrast Ratio (Typ.)	1000:1
	Panel Surface	Anti-Reflective Coating
<b>Input Video</b>	RGB	Input (Circular 18-pin)
	HDMI	Input (Circular 18-pin)
	DVI-D (Single Link)	Input (Circular 18-pin), Option
	Composite Video	Input (Circular 6-pin), Option
<b>Power</b>	Power Supply	Internal brick power supply (Circular 3-pin)
	Input Voltage	DC 9-38V
	Power Consumption	Max. 42W
<b>Misc.</b>	Operating Temperature	0°C~50°C
	Operating Humidity	10%~90%
<b>Design</b>	Dimensions (W) x (H) x (D) mm	452mm/17.8" x 400mm/15.7" x 60mm/2.36"
	IP Rating	Front Side: IP67 Rear Side : IP67
	User Controls	OSD Control by control buttons

	<b>MODEL</b>	<b>XT-24</b>
<b>Panel</b>	Size (Diagonal)	24.1 inch
	Backlight	LED
	Resolution	1,920 x 1,200
	Number of Pixels	1920 x R.G.B x 1200
	Support Color	16.7 Million
	Brightness (Typ.)	800 cd/m <sup>2</sup>
	Viewing Angle (H/V)	170° / 170°
	Response Time (Tr/Tf)	25 ms (Gray to Gray)
	Contrast Ratio (Typ.)	1300:1
	Panel Surface	Anti-Reflective Coating
<b>Input Video</b>	RGB	Input (Circular 18-pin)
	HDMI	Input (Circular 18-pin)
	DVI-D (Single Link)	Input (Circular 18-pin), Option
	Composite Video	Input (Circular 6-pin), Option
<b>Power</b>	Power Supply	Internal brick power supply (Circular 3-pin)
	Input Voltage	DC 9-38V
	Power Consumption	Max. 120W
<b>Misc.</b>	Operating Temperature	0°C~50°C
	Operating Humidity	10%~90%
<b>Design</b>	Dimensions (W) x (H) x (D) mm	597mm/23.5" x 423mm/16.65" x 63mm/2.48"
	IP Rating	Front Side: IP67 Rear Side : IP67
	User Controls	OSD Control by control buttons

**Copyright Notice**

This document is copyrighted. All rights are reserved. Neither this document, nor any part of it, may be reproduced or copied in any form or by any means- graphical, electronic, or mechanical including photocopying, taping or information storage and retrieval systems without written permission of Seatronx LLC ©

SEATRONX, LLC 2470 N. Decatur Blvd, Hobe Sound FL 33455

TEL: +1 800 607-1460 Email: [info@seatronx.com](mailto:info@seatronx.com) Website: [www.seatronx.com](http://www.seatronx.com)