

Military Grade LCD

Rack Mount LCD



17"

Specifications



Model Name	SEA-MIL-17RT
Viewable Size Image	17" (9U)
Active Display Area(mm)	337.92(H)x270.34(V)
Pixel Pitch(mm)	0.264(H)x0.264(V)
Number of Pixels	1280x1024
Contrast Ratio	1000:1(typ.)
Display Color	16.7M(Colors)
Brightness(cd/m ²)	350(typ.)
Viewing Angle(CR>=10)	-85~85(H);-80~80(V)
Synchronization Range	31.5~80.0KHz/60~75Hz
Horizontal/Vertical	
Recommended Resolution	1280x1024@60Hz, 75Hz
Signal Connector	15 pin D-Sub, 5 x BNCs, DVI-D
Power Source	AC100~240V, Universal,±10% DC 9~36V, ±10%(optional)
Power Consumption	32W typical, normal operation
Power Management	VESA DPMS Compliant
Plug & Play	VESA DDC 1/2B
Optional Touch Screen	Resistive (RS232/USB)
Operating temperature	-20°C to 60°C
Storage Temperature	-30°C to 70°C

- Anti-Corrosion Housing / Fanless
- Compliant with MIL-STD-810G/F
- Convenient On-Screen Display Controls
- AC 110-240V Power input / Isolation DC 9~36V Power input (Optional)
- Built-in Light Sensor for auto brightness control
- Military Grade Power Connector (MIL-DTL-38999/1)
- Default with Standard AR Glass
- EMI ITO Glass (Optional)
- 5-wire Resistive Touch (Optional)
- 5-wire Resistive Touch with EMI Mesh Coating (Optional)

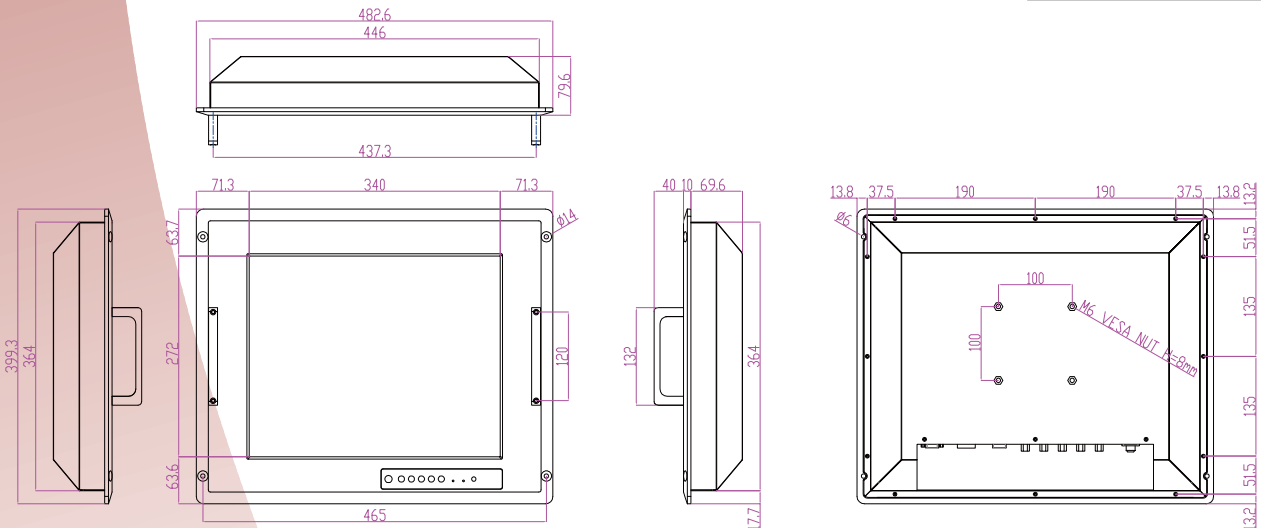
Environmental(MIL-STD 810F/G Compliance)

Vibration	MIL-STD-810F/G Method 514.5
Humidity	MIL-STD-810F/G Method 507.4
Transit Drop	MIL-STD-810F/G Method 516.5

Environmental(MIL-STD 416E/F Compliance)

RE	RE 101 / RE 102
CE	CE 101 / CE 102
Optional with EMI Glass / Touch	
RS	RS 101 / RS 103
CS	CS 101 / CS 106 / CS 109 / CS 114 CS 115 / Cs116

Mechanical Drawing



* Note: this is a simplified drawing and some components are not marked in detail. Please contact our sales representative if you need further product information.