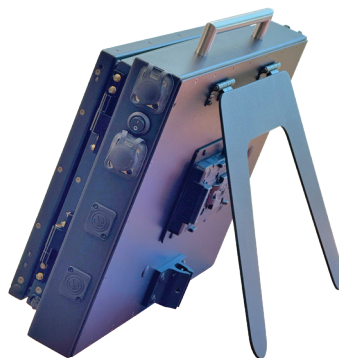
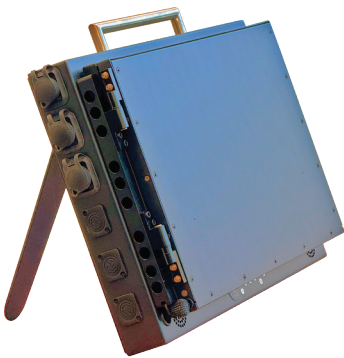
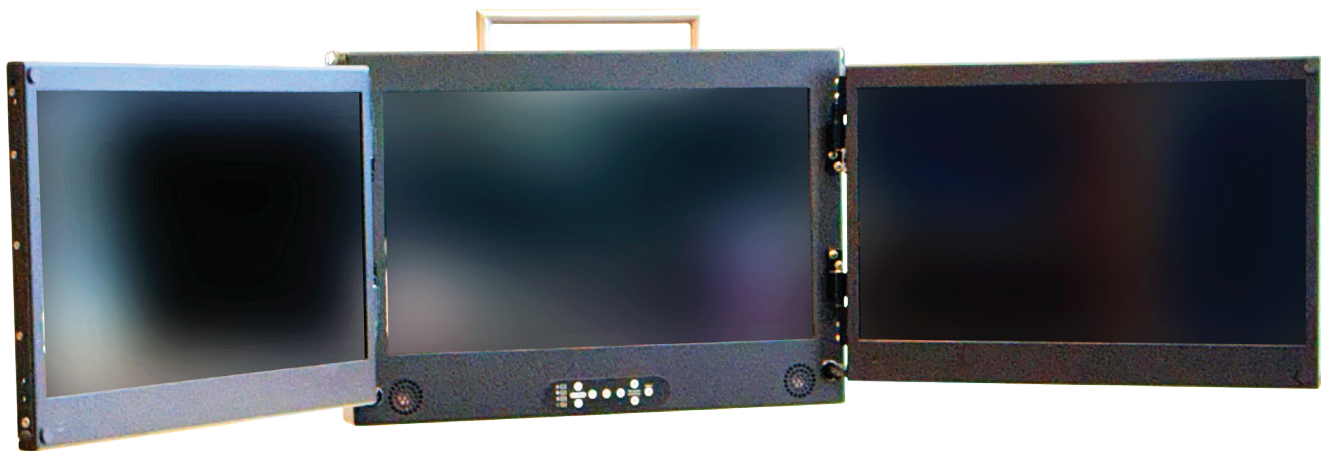


Take your monitors anywhere with the Rugged Mobile Military Display (RMMD) series by SEATRONX. The RMMD is powered by 12VDC or Batteries, featuring a V35x (FHD), HDMI inputs. Optional 3G SDI, or Mini Display Port. All-Aluminum Construction, with FHD displays, high brightness for outdoor viewing, exceptional contrast ratio and viewing angle, as well as our state of the art optical bonding Anti Reflective Lens option. This heavy-duty field monitor system has additional features and options, like our rugged handle, built-in kickstand, V-Mount battery cradle, Lightstand bracket, storm case and more.

### Features:

- Portable Multi Screen HYDRA
- Conformal Coated Electronics NanoFlowX
- XLR or C90 Power Inlet:
- High Bright, Daylight Viewable
- Optical Bonding
- PCAP Touch (Optional)
- Consolidated OSD Controls



### LCD Panel

#### 173HB FHD 1920x1080 (Max Res)

#### 17.3" Wide LED Backlit LCD w/ Anti-Glare

- Viewing Angles: 80/80/60/80
- Contrast Ratio: 600:1
- Brightness: 1500 NITS
- Response Time: 20ms
- Surface Finish: AG, 3H
- Color: 6-bit+HiFRC (16.7M)
- Operating Temp: -10°C to 70°C
- Storage Temp: -20°C to 70°C



### Accessories:

- Storm Case
- Pole Mount Cradle
- V Mount Battery Cradle
- Light Stand Mount Bracket
- HDMI Cables (3)
- XLR Power Cord (12VDC)

### Video Controllers

#### V35x Rugged Embedded Controller

- For Use with Integrated KVM Switch Options
- Max Resolution 1920x1200 60hz
- Input Options Available: VGAX1, Display Port x1 (HDMI, DVI-D, or 3G-SDI pick only 1)
- Designed to Meet Shock and Vibe Requirements
- Command and Controls: Consolidated OSD Buttons on Front
- Optional 3G-SDI Interface can be Integrated



# Specifications

Detailed Specifications are for the Monitor We can supply Detailed Specs other Monitors upon Request

**173HB**



## LCD Characteristics:

Screen Spec:	173HB High Bright , a-Si TFT LCD
Backlight Type:	LED
Resolution:	1920 x1080
Contrast Ratio:	1000:1
Brightness ( cd/m <sup>2</sup> ):	1500
View Angles ( H/V ):	80/80/60/80
Pixel Size ( HxV ) mm:	0.1989x0.1989 mm
Max. Color:	16.7M
MTBF (hrs):	50,000
Response Time (ms):	20
Lens Treatment:	AG Chem Strengthened Glass
Lens Enhancement:	(OPTIONAL) EMI 461 , Optical Bonding
Touch:	(OPTIONAL) PCAP touch
Color Gamet (NTSC):	72%

## Input Signals:

VGA:	N/A
HDMI or DVI:	HDMI x3
Display Port:	Mini Display Port Connector x3
USB:	USB 2.0 Connector For Optional Touch

## Power Specifications:

DC Power Input:	12VDC (Optional 9-36VDC)
Connector:	XLR or MIL lock C90

## Mechanical and Environment:

Height:	TBD	
IP Protect:	IP65	
Mounting:	Deck Mountable Via 1/4-20 Hole Pattern	
Construction:	Aluminum Housing with MIL powder coating	
Operating Temperature:	-10°C ~ 70°C	Method 501.4 and 502.4
Storage Temperature:	-20°C ~ 75°C	Method 501.4 and 502.4
Operating Humidity:	5% - 95%, non -condensing	Method 507.4
Anti-Vibration:	5 - 500 Hz / 1 Grms PTP	Method 514.5
Anti-Shock:	15G / Peak (11 ms)	Method 516.5
Physical Dimension (WxHxD):	17.23" x 3.26" x 13.71" (in)	
Packing Dimension (WxHxD):	22"x5"x25" (in)	
Net Weight / Gross Weight:	(22Lbs/28Lbs)	
Certification and Approvals:	CE/ FCC RoHS	
Altitude Test:	12,500/40,000ft (Operational/No-Operational)	

## User Controls Interface:

Power ON / OFF via Front Button
Power Mode Status LED Indicator
OSD (On Screen Display) Buttons

**RMMD**

Rugged Mobile Military Display

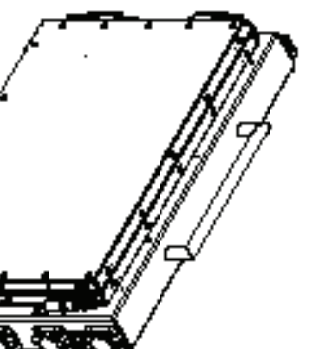
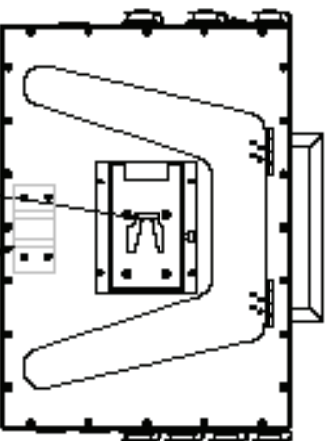
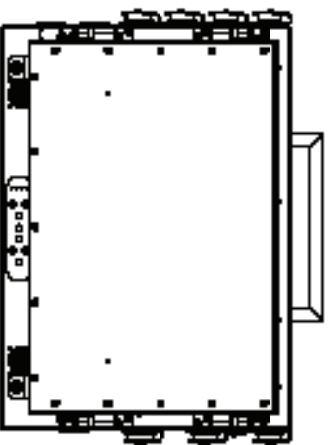


Our Vision is Your Vision

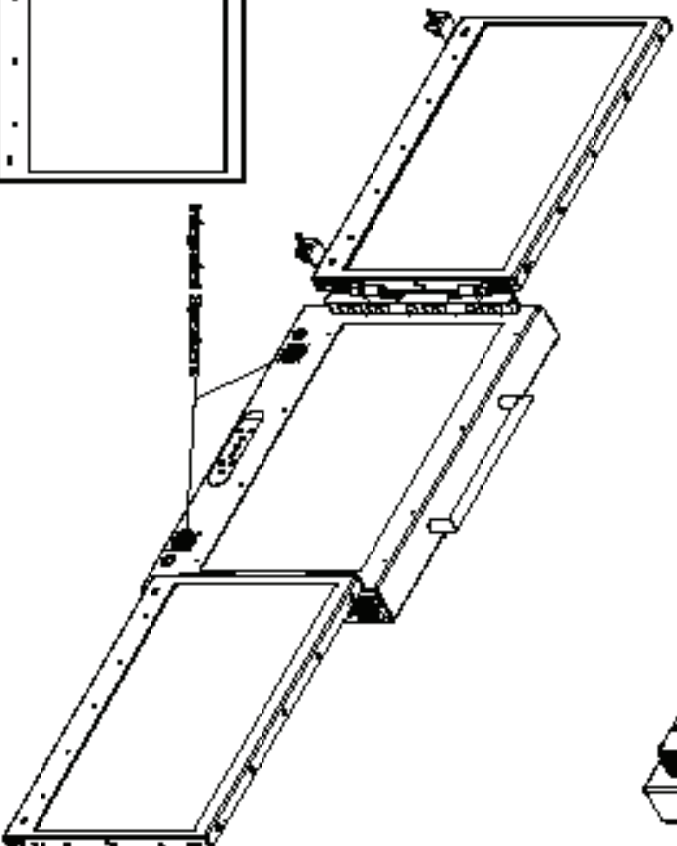
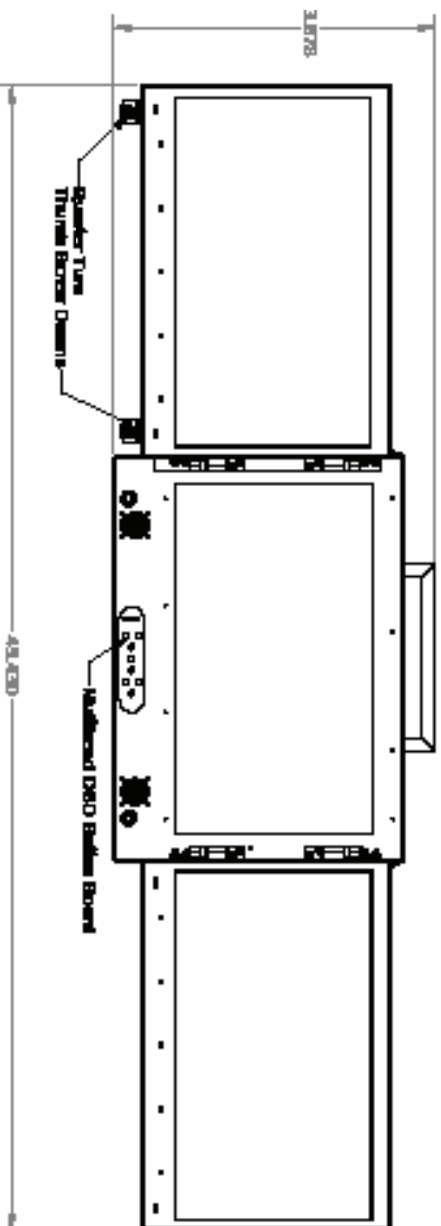
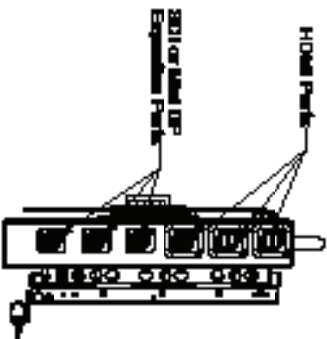
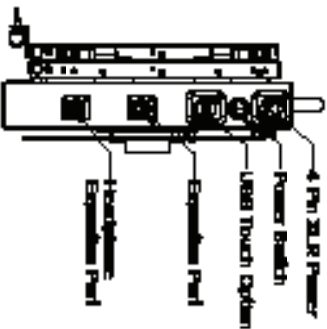
# Mechanical Drawings

Samples of some of the Custom Projects we have done for our customers

Mechanical drawings and 3D Solid Models are available upon request. Contact your sales representative for details.



3.55(0) 3.97(0) Voluntary or PoE Mounting Solder Connectors Harmonic Lightband Mount



# RMMD

Rugged Mobile Military Display



Our Vision is Your Vision

### MIL SPECIFICATIONS

Panel Can be DTM (DESIGNED TO MEET) the following MIL Standards. Full Mil Spec Requirements must be disclosed during the quoting process to pick the correct components and Enhancement Process to meet your MIL Spec Requirements.

### TERMS & CONDITIONS

Seatronx only Guarantees our Units Will pass Mil-Spec Testing when Mil-Spec Testing is purchased through Seatronx and its partnering 3rd party independent Labs.

### AVAILABLE MIL STANDARD DESIGN TO MEET OPTIONS

**Operational Temperature Range:** MIL-STD-810F/G, -10C to +70C (\*Method and Procedures TBD)

**Storage Temperature:** MIL-STD-810F/G, -20C to +75C (\*Method and Procedures TBD)

**Humidity:** MIL-STD-810F/G, (\*Method and Procedures TBD)

**Altitude:** MIL-STD-810F/G, (\*Method and Procedures TBD)

**Vibration:** MIL-STD-810F/G, -167, or -516.2 (\*Method and Procedures TBD)

**Shock:** MIL-STD-810F/G, -901E Grade B, or -901E Grade A (\*Method and Procedures TBD)

**EMI:** MIL-STD-461F/G CE102, RE101, RE102, CS101, CS114, CS116, RS101, and/or RS103

\*MIL-STD, Methods, and Procedures are based on your required needs, contact one of our knowledgeable Sales Engineers to help to Spec in a unit to meet your required needs.