

MPRC-24W

24" Intel® Core™ i5-8265U Defence Console Rack Panel PC



KEY FEATURES

- Intel® Core™ i5-8265U 1.6GHz Processor
- Anti-Corrosion Housing / Fanless
- Projective Touch
- Compliant with MIL-STD-810G/F , MIL-STD-461E/F
- Flush Rack / Rack Mount Mechanical Design (8U)
- Convenient On-Screen Display Controls
- AC 110~240 V Power input default
- Isolation DC 9~36 V Power input (Optional)
- Built-in Light Sensor for auto brightness control

INTRODUCTION

The Defence Console Rack Panel PC Series is a robust solution designed for mission-critical applications in defence and industrial environments. Available in sizes from 15" to 32", these systems feature Intel® processors, fanless anti-corrosion housing, and projective touch screens for seamless operation. With MIL-STD-810G/F and MIL-STD-461E/F/G compliance, they ensure reliability in extreme conditions. The rack-mount (8U) design, on-screen display controls, and optional isolation DC power input provide versatility, making them ideal for command centers, control rooms, and rugged field deployments.

SPECIFICATIONS

Display

Resolution	1920x1080	Size	24.0 inches
Contrast Ratio	3000:1	Panel Brightness	250.0 nits
View Angles	89, 89, 89, 89	Active Area	527.04x296.46 mm
Touch / Glass	Projected Capacitive Multi Touch Screen PCAP with With ITO Film (Optional)		

System Specification

Processor	Intel Core i5-8265U 1.6GHz (up to 3.9GHz)	Memory	1 x SO-DIMM, DDR4 2400 MHz, 4GB 8GB (Optional) 16GB (Optional) 32GB (Optional)
Storage	1 x M.2 2242 B-key SSD 64GB up to 512GB (Optional)	Ethernet controller	Intel® Ethernet Controller I210-AT + Intel® Ethernet Connection I219-LM
Operating System	Windows 10 IoT Enterprise (Optional)		

Environment

Operating Humidity	10% to 95% RH	Operating Temperature	0~50°C
Storage Temperature	-10°C~60°C		

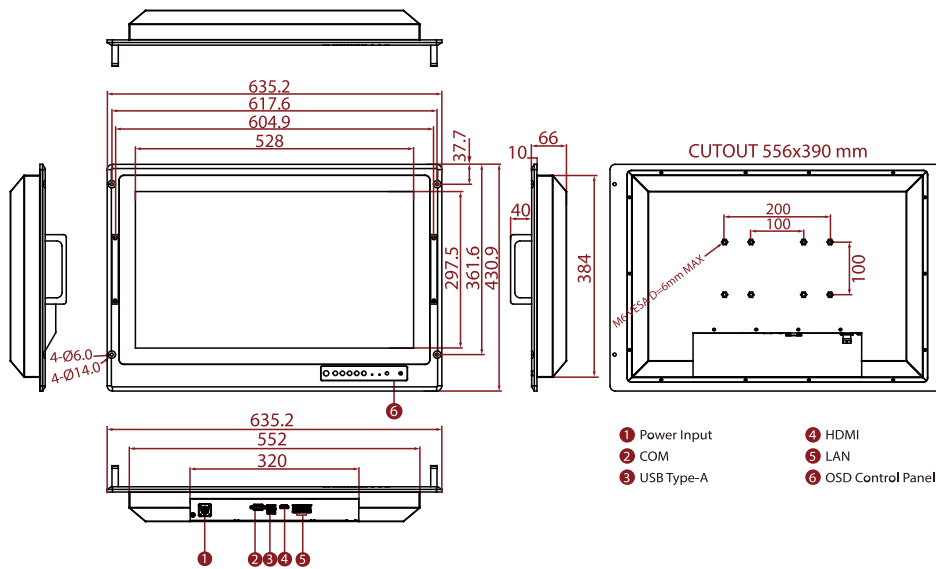
Compliance

MIL-STD 461E/F/G	RE101 / RE102 CE101 / CE102 CS118	MIL-STD 810G/H	Vibration Method 514.6 Humidity Method 507.5 Transit Drop Method 516.6
-------------------------	---	-----------------------	--

with EMI Glass / Touch(Optional)
 RS101 / RS 103
 CS101 / CS 106 / CS 109 / CS 114 / CS 115 / CS 116

IO Ports			
USB Port	2 x USB 3.2 Gen 1	Serial Port	1 x RS232(Default)/422/485
Video	1 x HDMI (Optional)	LAN	2 x RJ-45
Mechanical			
Dimension	635.2 x 430.9 x 66 mm	Mounting	VESA mount Rack mount (Optional)
Enclosure	Metal Housing with Aluminum Bezel	Cooling System	Fanless Design
Accessory			
Accessory	1 x Manual(Hardcopy) 1 x Driver CD 1 x Power Cord (MIL-DTL-38999/1)		
Power			
Power Rating	AC 100~240V, Universal, ±10% DC 9~36V, ±10% (Optional)		
Control			
Button	8 Key OSD Control Pad: Power, Brightness DOWN, Brightness UP, Night, Day, Auto / Manual, Reset, Lock		

DIMENSIONS UNIT:MM



NOTE

1. The product shown in this datasheet is a standard model. For diagrams that contain customized or optional I/O, please contact the Seatronx Sales Team for more information.