

MO-R1Q-XX Series

Rugged Mobile Monitors - Sizes: 10.1", 12.1", 15.6", 17.3", 21.5"



Our Vision is Your Vision



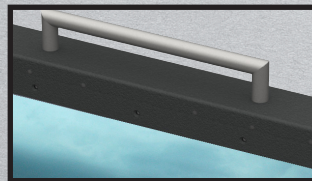
MO-R1Q-XX Series

Take your monitor anywhere with the MO-R1Q-XX Series. The MO-R1Q-XX is our entry-level class in the mobile monitors series. It features the V33x Quantum Controller Card, capable of handling VGA, Mini Display Port, and HDMI. But do not be fooled. The MO-R1Q-XX boasts a Professional-Grade, All-Aluminum Construction, with High Definition displays, High Brightness for outdoor viewing, exceptional Contrast Ratio and Viewing Angle, as well as our state-of-the-art Optical Bonding option. This Light-Weight and Durable Monitor Solution has additional features and options, like our Rugged Handle, Built-in Kickstand, Anton Baur Battery, Light Stand, Yoke Mount, and more. Whether you are in Broadcast, Film, IT, or Military, you will find endless uses for our MO-R1Q-XX.

FEATURES

- RUGGED ALL ALUMINUM CONSTRUCTION
- ENTRY V33X QUANTUM CONTROLLER CARD
- CUSTOMIZABLE MODULAR DESIGN
- KICKSTAND INCLUDED
- LIGHT WEIGHT
- OPTIONAL BATTERY CRADLE

CARRYING HANDLE



OPTIONAL KICKSTAND

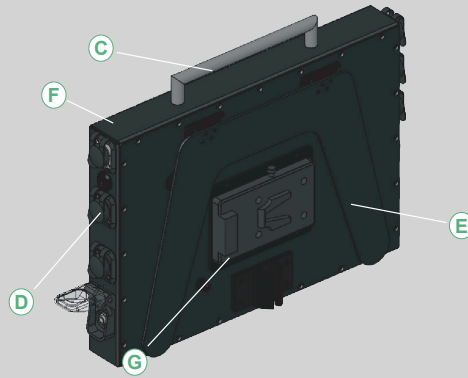


OPTIONAL BATTERY CRADLE WITH IDX V-MOUNT ANTON BAUER GOLD MOUNT



REV 1.22.08.21

MOUNTING FEATURES



- A** LED Backlit LCDs
- B** High Definition Display
- C** Carrying handle
- D** Input Options
- E** Included Kickstand
- F** Rugged Aluminum Frame
- G** Optional Battery Cradle With IDX V-Mount Anton or Bauer Gold Mount

LCD DISPLAY

VIDEO CONTROLLER

V33X QUANTUM CONTROLLER

Max Resolution: 1920 x 1200

Input Options Available: VGA, Mini DisplayPort, HDMI

LCD MODULES

101W FHD 1920x1080 (Max Res)

- 10.1" WIDE LED BACKLIT LCD W/ ANTI-GLARE
- VIEWING ANGLES: 85/85/85/85
- CONTRAST RATIO: 800:1
- BRIGHTNESS: 500 NITS
- RESPONSE TIME: 12.5MS
- SURFACE FINISH: ANTI GLARE WITH ACRYLIC LENS
- COLOR: 6 BIT + HI-FRC

121HB WXGA 1920x1080 (Max Res)

- 12.1" WIDE LED BACKLIT LCD W/ ANTI-GLARE
- VIEWING ANGLES: 80L/80R/80U/60D
- CONTRAST RATIO: 700:1
- BRIGHTNESS: 1500 NITS
- RESPONSE TIME: 8MS
- SURFACE FINISH: ANTI GLARE WITH HARD COATING

156W WXGA 1920x1080 (Max Res)

- 15.6" WIDE LED BACKLIT LCD W/ ANTI-GLARE
- VIEWING ANGLES: 80L/80R/80U/65D
- CONTRAST RATIO: 800:1
- BRIGHTNESS: 600 NITS
- RESPONSE TIME: 20MS
- SURFACE FINISH: ANTI GLARE WITH ACRYLIC LENS

173W WXGA 1920x1200 (Max Res)

- 17.3" WIDE LED BACKLIT LCD W/ ANTI-GLARE
- VIEWING ANGLES: 80/80/60/80
- CONTRAST RATIO: 600:1
- BRIGHTNESS: 400 NITS
- RESPONSE TIME: 20MS
- SURFACE FINISH: ANTI GLARE WITH ACRYLIC LENS

215W FHD 1920x1080 (Max Res)

- 21.5" WIDE LED BACKLIT LCD W/ ANTI-GLARE
- VIEWING ANGLES: 80L/80R/89U/89D
- CONTRAST RATIO: 1000:1
- BRIGHTNESS: 300 NITS
- RESPONSE TIME: 14MS
- SURFACE FINISH: ANTI GLARE WITH ACRYLIC LENS

ORDERING INFORMATION

Series
MO-R1Q

Display Size
101W

101W = 10.1" Wide
121HB = 12.1" High Bright
156W = 15.6" Wide
173W = 17.3" Wide
215W = 21.5" Wide