

# CD-27T

## 27" ECDIS Marine Display



### KEY FEATURES

- 27" 1920 x 1080 resolution with projective capacitive multi touch screen
- Edge to edge narrow bezel design and fanless cooling system
- OSD Key For quick mode changing between ECDIS DAY, DUSK, and NIGHT mode
- 9~36 V DC to DC power input acceptable (Isolation Resistance)
- Meet the requirements of industrial marine standards, compatible with IEC60945 4th Edition, DNVGLCG0339, IACS E10
- Color calibrated for ECDIS compliance (Optional)

### INTRODUCTION

The ECDIS Marine Display Series delivers advanced solutions tailored for marine applications, available in sizes from 15" to 32". Designed with edge to edge narrow bezels and a fanless cooling system, these displays provide a sleek and reliable performance. Featuring capacitive touch keys and support for ECDIS compliant DAY, DUSK, and NIGHT modes, they ensure optimal visibility in varying lighting conditions. Certified with IEC 60945 4th Edition, DNVCG0339, and IACS E10 standards, the CD series offers rugged durability, optional color calibration, and multitouch capabilities, making it ideal for navigation and marine control systems.

### SPECIFICATIONS

#### Display

<b>Resolution</b>	1920x1080	<b>Size</b>	27.0 inches
<b>Contrast Ratio</b>	3000:1	<b>Panel Brightness</b>	300.0 nits
<b>Display Color</b>	16.7M Colors	<b>View Angles</b>	89,89,89,89
<b>Active Area</b>	597.6x336.15 mm	<b>Touch / Glass</b>	Projected Capacitive Multi Touch Screen (AR Coating) (Default) AG film (Optional) AR Glass (Optional)

#### Environment

<b>Operating Humidity</b>	5% to 95%	<b>Operating Temperature</b>	15~55°C
<b>Shock</b>	15G, 11ms duration	<b>Vibration</b>	0.7g@DNVCG0339 (Class A)
<b>IP rating</b>	IP66 (Front Side)		

#### Certification

<b>Certification</b>	CE, FCC DNVCG0339, IEC60945 4th, IACS E10
----------------------	--

#### IO Ports

<b>USB Port</b>	1 x USB Type A	<b>Serial Port</b>	1 x RS232 for remote control
<b>Video</b>	1 x VGA 1 x DVID 1 x HDMI 1.4	<b>Buzzer</b>	75 dB~80 dB, 2300 Hz, 1m

## Mechanical

<b>Dimension</b>	679.2 x 450 x 69 mm	<b>Weight</b>	15 kg
<b>Mounting</b>	VESA mount/Panel mount	<b>Enclosure</b>	Anodized Aluminum Bezel
<b>Cooling System</b>	Fanless Design	<b>Cut out</b>	655 x 430 mm

## Power

<b>Power Rating</b>	24V DCin with Isolation (Approval by Certificate) 9~36V DC Input Acceptable	<b>Consumption</b>	55W (Typical)
---------------------	--	--------------------	---------------

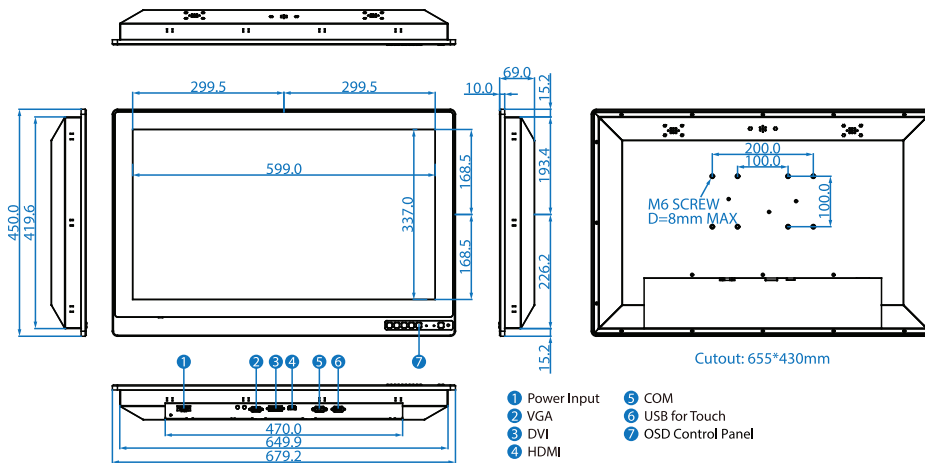
## Accessory

<b>Accessory</b>	User Manual Mounting clips x 16 AC to 12V DC Adapter Power Cord 3 Pin Terminal Block Open Wire Cable 1 x VGA cable 1 x DVI cable 1 x HDMI cable 1 x RS232 cable 1 x USB cable
------------------	---

## Control

<b>Button</b>	6 key: Power Decrease Increase Exit/ Auto Menu ECDIS Mode Change
---------------	--

## DIMENSIONS UNIT:MM



## NOTE

1. This is a simplified drawing and some components are not marked in detail.
2. Please contact our sales representative if you need further product information.
3. All specifications are subject to change without prior notice.
4. The product shown in this datasheet is a standard model. For diagrams that contain customized or optional I/O, please contact our Sales Team for more information.

