

# CD-12T-HB

## 12.1" High Brightness Marine Display



### KEY FEATURES

- Dimming knob control backlight brightness from nearly 0% to 100%
- High brightness TFTLCD Panel enhances the best visibility(Optional)
- IP66 aluminum housing with powder coating design (IP54 rear)
- 9 to 36V DC to DC power input acceptable (AC power for option)
- High quality touchscreen / AR protection glass for option
- PIP(picture in picture) function and multivideo inputs
- Ease of use front panel OSD control, High Brightness Marine Display
- Enhanced shock and vibration resistance



### SPECIFICATIONS

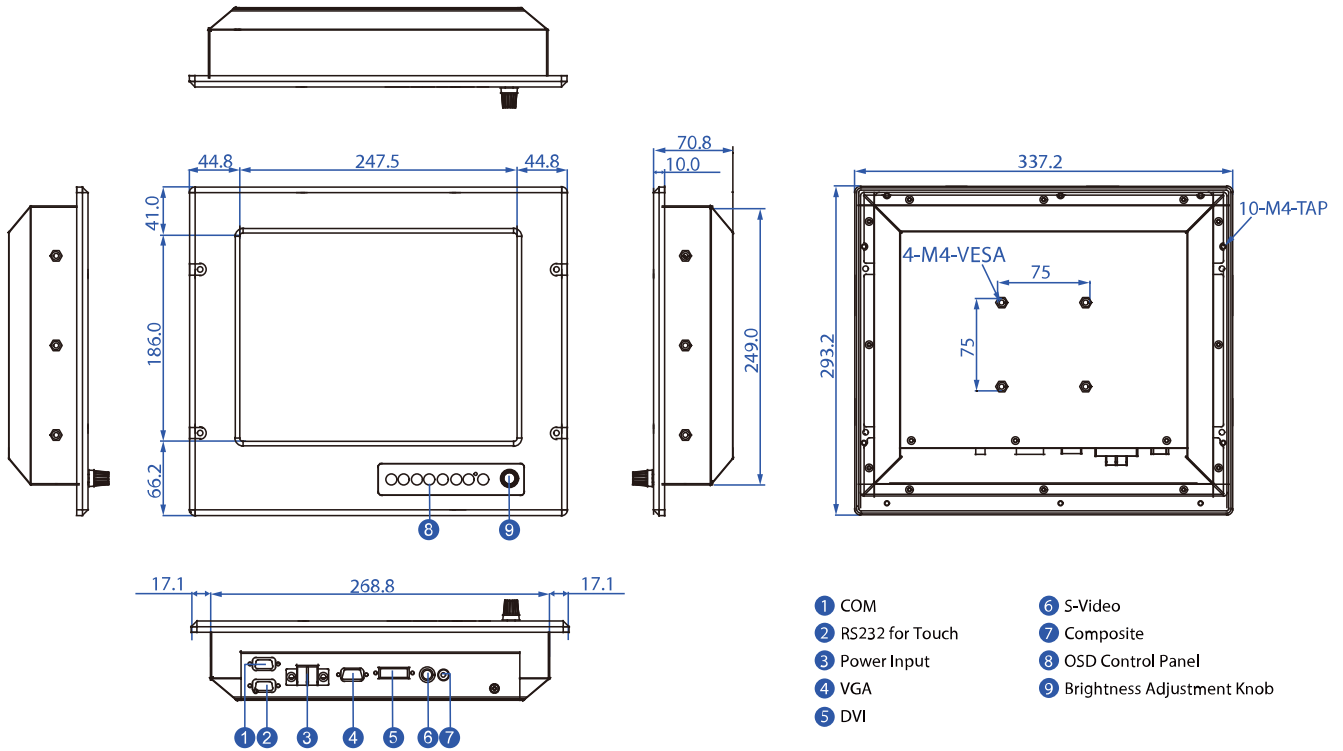
Display			
<b>Touch / Glass</b>	Resistive Touch Screen AR Glass (Optional)	<b>Resolution</b>	1024x768
<b>Size</b>	12.1 inches	<b>Contrast Ratio</b>	1000:1
<b>Panel Brightness</b>	1000 nits	<b>Display Color</b>	16.2M Colors
<b>View Angles</b>	89,89,89,89	<b>Active Area</b>	245.76 x 184.32 mm
Environment			
<b>Operating Humidity</b>	5% to 95%	<b>Operating Temperature</b>	15~55°C
<b>Shock</b>	15G, 11ms duration	<b>Vibration</b>	0.7g@DNVGL CG0339 (Class A)
<b>IP rating</b>	IP66 (Front Side)		
Certification			
<b>Certification</b>	CE, FCC		
IO Ports			
<b>Serial Port</b>	1 x RS232 for Remote Control 1 x RS232/USB for Touch Screen	<b>Video</b>	1 x VGA 1 x DVID 1 x Composite 1 x SVideo
Mechanical			
<b>Dimension</b>	337 x 293.2 x 70.8 mm	<b>Mounting</b>	VESA Mount/ Panel Mount
<b>Enclosure</b>	Metal Housing with Aluminum Bezel	<b>Cooling System</b>	Fanless Design
<b>Cut out</b>	307 x 253mm		
Power			
<b>Power Rating</b>	24V DCin with Isolation (Approval by Certificate) 9~36V DC Input Acceptable	<b>Consumption</b>	35W (Typical)
Accessory			
<b>Accessory</b>	1 x User Manual. 1 x CD for Touchscreen Driver Tools. 1 x DVI Cable. 1 x VGA Cable. 1 x RS232 Serial Cable. 1 x SVideo Cable. 1 x Composite Cable.		

REV 1.30.11.22

## Control

<b>Button</b>	8 key: Esc/PIP Auto adjustment Left Right/Source OK/Menu Up Down Power 1 x The Dimming Knob
---------------	--

## DIMENSIONS UNIT:MM



## NOTE

1. This is a simplified drawing and some components are not marked in detail.
2. Please contact our sales representative if you need further product information.
3. All specifications are subject to change without prior notice.
4. The product shown in this datasheet is a standard model. For diagrams that contain customized or optional I/O, please contact the Seatronx Sales Team for more information.

