

ANDROS 8

Rugged Android Computer



Our Vision is Your Vision



APP LIST IS ENDLESS
Install Any Android Compatible App

INCLUDES: POWER, VIDEO, AUDIO & USB TOUCHSCREEN CABLES

The Andros8™ by Seatronx is a ruggedized Android-based computer designed for seamless integration into marine, industrial, and mobile environments.

It enables users to run any Android application directly to a display or MFD, unlocking powerful functionality at a fraction of traditional marine system costs.

From navigation and weather to streaming and entertainment, Andros8 transforms any compatible display into a fully customizable smart interface.

WHY ANDROS8?

The Andros8 eliminates the need for costly proprietary marine electronics by allowing you to run fully featured Android applications on your existing displays.

This means:

- Full system flexibility
- Lower upfront cost
- Future-proof upgrades via apps
- Simple installation

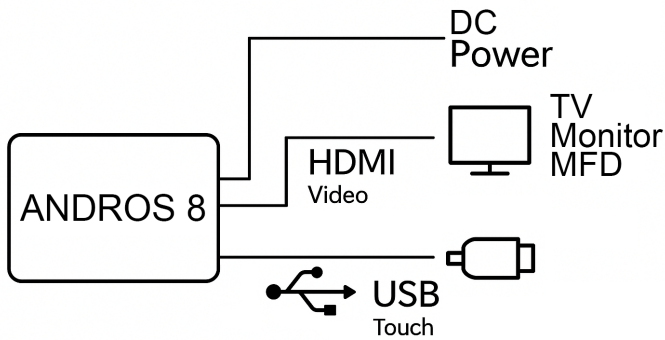
KEY BENEFITS

- Marine/Industrial/Vehicle/ATV/Heavy Equipment/Transportation
- Google Certified Android Device
- Run Any Android App
- Access Google Play apps for navigation, weather, streaming, monitoring, and more
- Cost-Effective Solution
- Replace expensive proprietary systems with flexible Android-based functionality
- Universal Display Compatibility
- Output to any HDMI-compatible display or MFD unit
- Touchscreen Integration
- Full control using USB-connected touchscreen displays
- Rugged Marine-Ready Design
- Built for harsh environments including vibration, humidity, and temperature extremes
- Endless Customization
- Configure your system exactly how you want it—no limitations
-

APPLICATIONS

- Marine Navigation Software
- Weather & Routing Software
- Vessel Monitoring Systems Integrations
- Entertainment & Streaming
- Control Interface Applications

How To Connect



1. Connect HDMI output from Andros8 to your TV, Display or MFD
2. Connect USB cable to enable touchscreen functionality
3. Power the unit
4. Launch and control any Android app directly on your display.

Specifications

Specifications:

Model: Andros 8

OS: Android

RAM: Solid State 16GB

Internal Memory: 128GB

External Memory: Expandable

CPU: ARM 8 Core RK3588

Multi Media: 8k@60fps

Bluetooth: Bluetooth 5.2

WiFi: WiFi 6, 2.4 & 5ghz, Built-in High-Performance SDIO Interface Dual Antenna

Audio: 1x Audio Output

USB: 4x USB 3.0, 1 USB OTB

LAN: 1x Ethernet Port

Video Output: 1x HDMI

Power: 1x DC 9v-36v

Housing: Aluminum Alloy, Full CNC Treated, Anodizing and Anti-Scratch Treatment

Mounting: Aluminum Wing Tabs and VESA

Cooling System: Die-Casting Aluminum Chassis with Passive Cooling

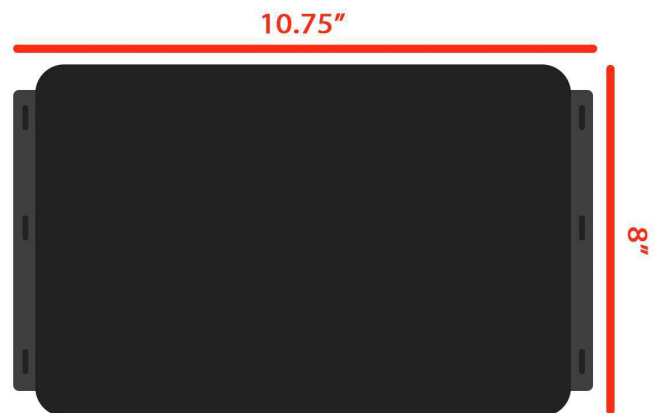
Operating Temperature: 14f to 140f

Storage Temperature: -4f to 158f

Vibration: 50-500Hz, 1.5G

Shock: 10G/Peak (11ms)

Compliance: CE, FCC, RoHS



OEM Custom Options available: Pre-loaded marine navigation apps, Custom UI / launcher branding, etc.